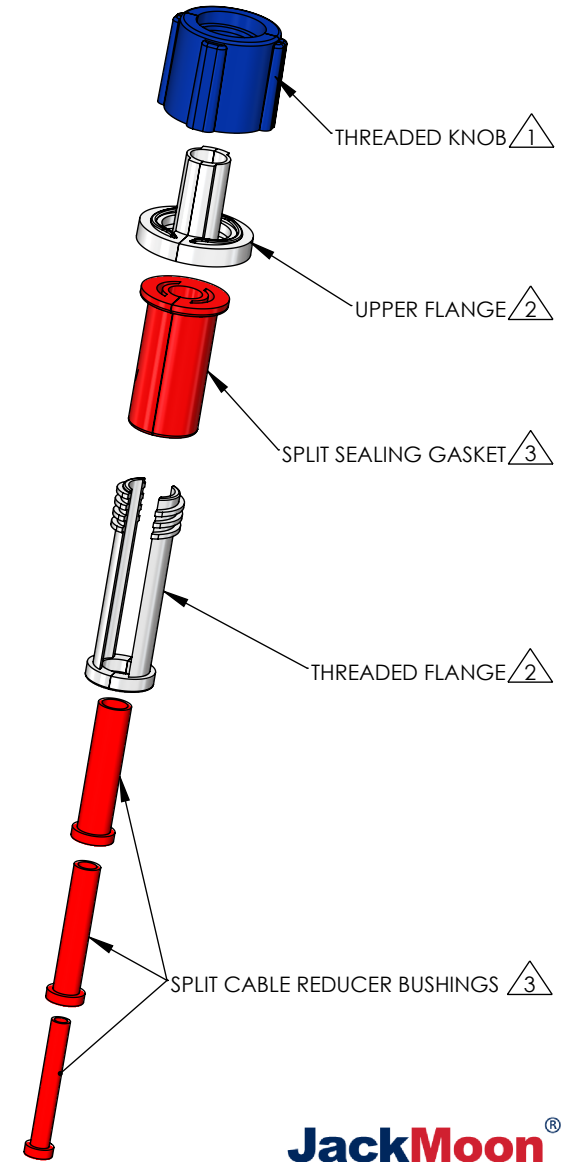
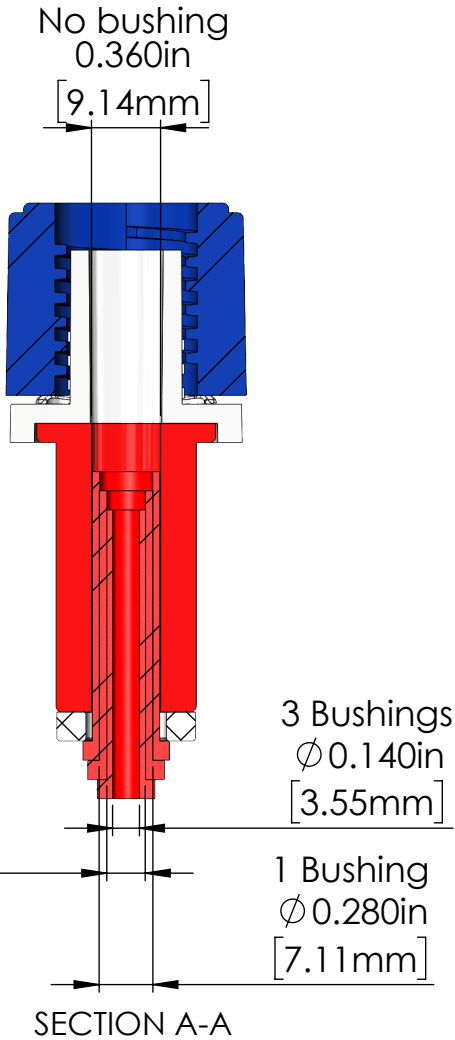
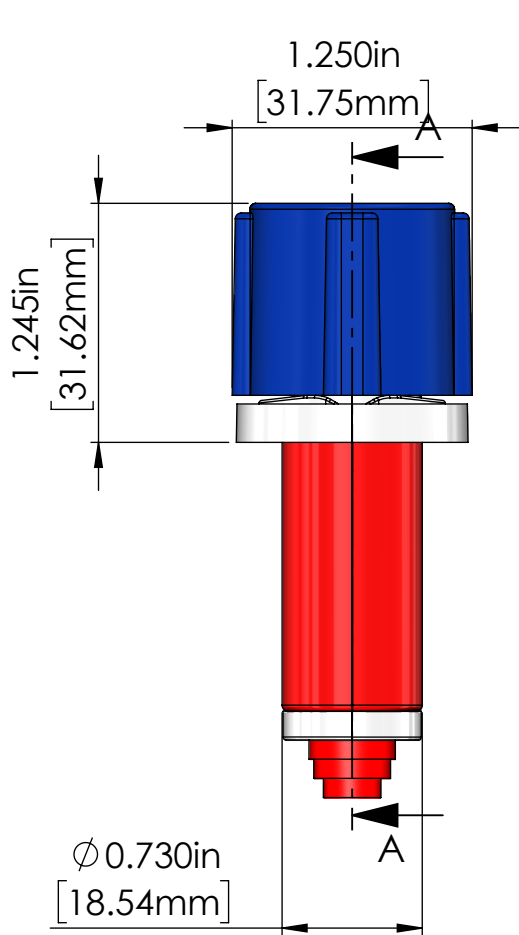


CONDUIT ID RANGE	APPLICABLE 0.75" [20mm] CONDUIT	PORT OD RANGE	BUSHING QUANTITY
0.740" - 0.820" [18.80mm - 20.83mm]	HDPE SDR 9	0.080" - 0.350" [2.03mm - 8.89mm]	3

Applicable conduit types based on product's conduit ID range meeting or exceeding conduit ID dimensions specified in one or more of following standards: UL651, UL651A, ASTM F2160, NEMA TC 6 & 8



**JackMoon**<sup>®</sup>  
Sealing Devices

- NOTES:
- 1 Material: Polypropylene
  - 2 Material: Nylon
  - 3 Material: TPE

TITLE	FIBER OPTIC SIMPLEX PLUG, 0.70"   19mm, PORT 0.08" - 0.35"   2.03mm - 8.89mm		
<b>PROPRIETARY AND CONFIDENTIAL</b>  THE INFORMATION CONTAINED IN THIS DRAWING IS THE SOLE PROPERTY OF CAL AM MANUFACTURING. ANY REPRODUCTION IN PART OR AS A WHOLE WITHOUT THE WRITTEN PERMISSION OF CAL AM MANUFACTURING IS PROHIBITED.	DRAWN	M.STOMA	DATE: 05/14/2024
	DRAWING NO.	7106-008-035	UNLESS OTHERWISE SPECIFIED DIMENSIONS ARE IN INCHES TOLERANCES: X±0.1    X.X±0.05 X.XX±0.030    X.XXX±0.020
	REVISION	A	
	SCALE:	1:1	PRODUCT NUMBER:

SHEET 1 OF 1