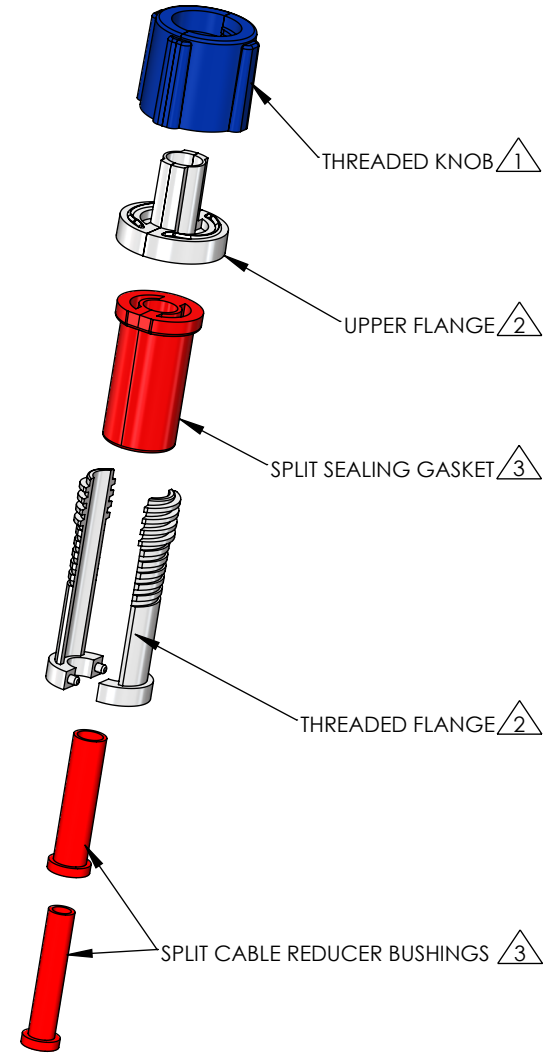
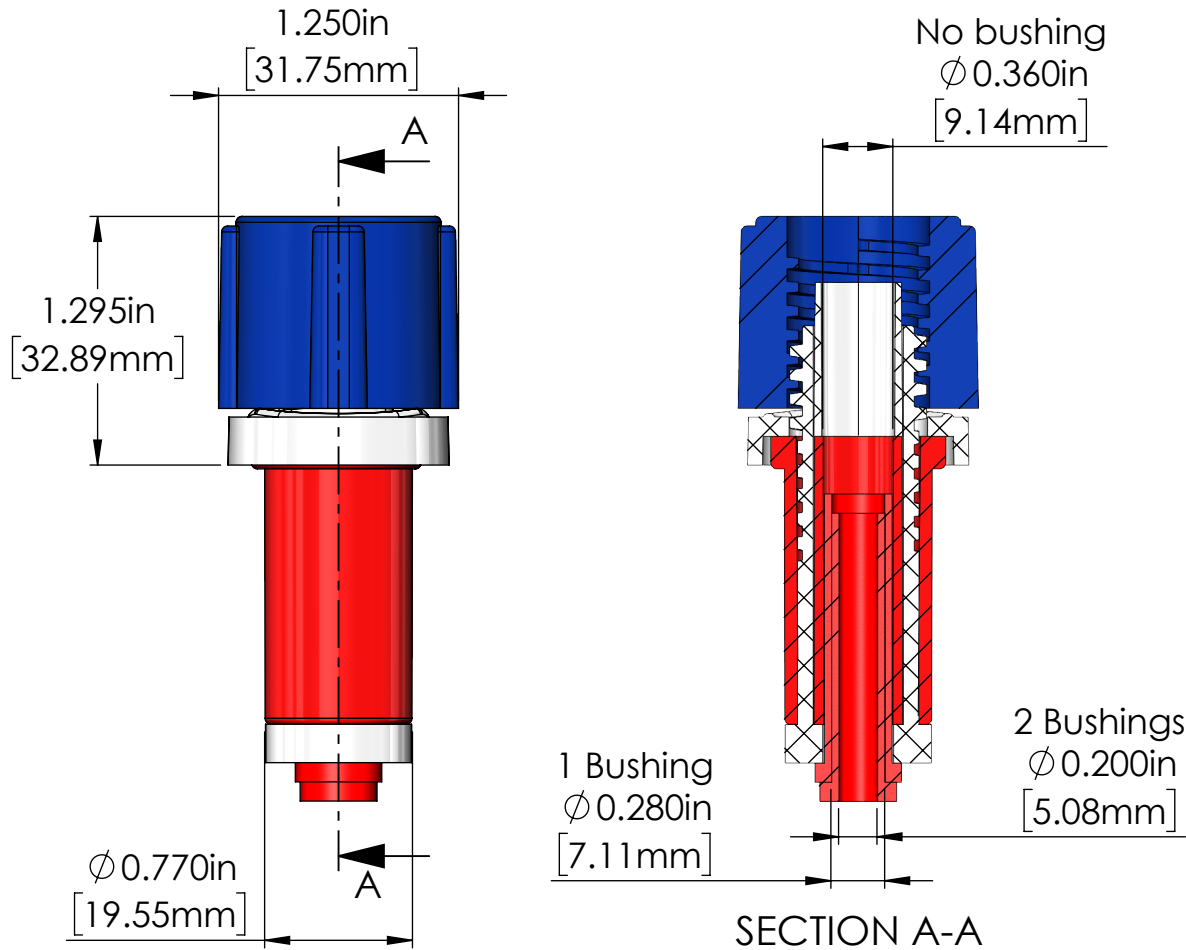


CONDUIT ID RANGE	APPLICABLE 0.75" [20mm] CONDUIT	PORT OD RANGE	BUSHING QUANTITY
0.780" - 0.860" [19.81mm - 21.84mm]	PVC SCH 40 HDPE SDR 11 EMT	0.200" - 0.350" [5.08mm - 8.89mm]	2

Applicable conduit types based on product's conduit ID range meeting or exceeding conduit ID dimensions specified in one or more of following standards: UL651, UL651A, ASTM F2160, NEMA TC 6 & 8



NOTES:

- 1 Material: Polypropylene
- 2 Material: Nylon
- 3 Material: TPE

TITLE	FIBER OPTIC SIMPLEX PLUG, 0.75" 20mm, PORT 0.20" - 0.35" 5.08mm - 8.89mm		
PROPRIETARY AND CONFIDENTIAL THE INFORMATION CONTAINED IN THIS DRAWING IS THE SOLE PROPERTY OF CAL AM MANUFACTURING. ANY REPRODUCTION IN PART OR AS A WHOLE WITHOUT THE WRITTEN PERMISSION OF CAL AM MANUFACTURING IS PROHIBITED.	DRAWN	M.STOMA	DATE: 02/22/2024
	DRAWING NO.	7107-020-035	UNLESS OTHERWISE SPECIFIED DIMENSIONS ARE IN INCHES TOLERANCES: X±0.1 X.X±0.05 X.XX±0.030 X.XXX±0.020
	REVISION	A	
	SCALE:	1:1	PRODUCT NUMBER:

JackMoon[®]
Sealing Devices



CAL AM

MANUFACTURING

www.CalAm.net