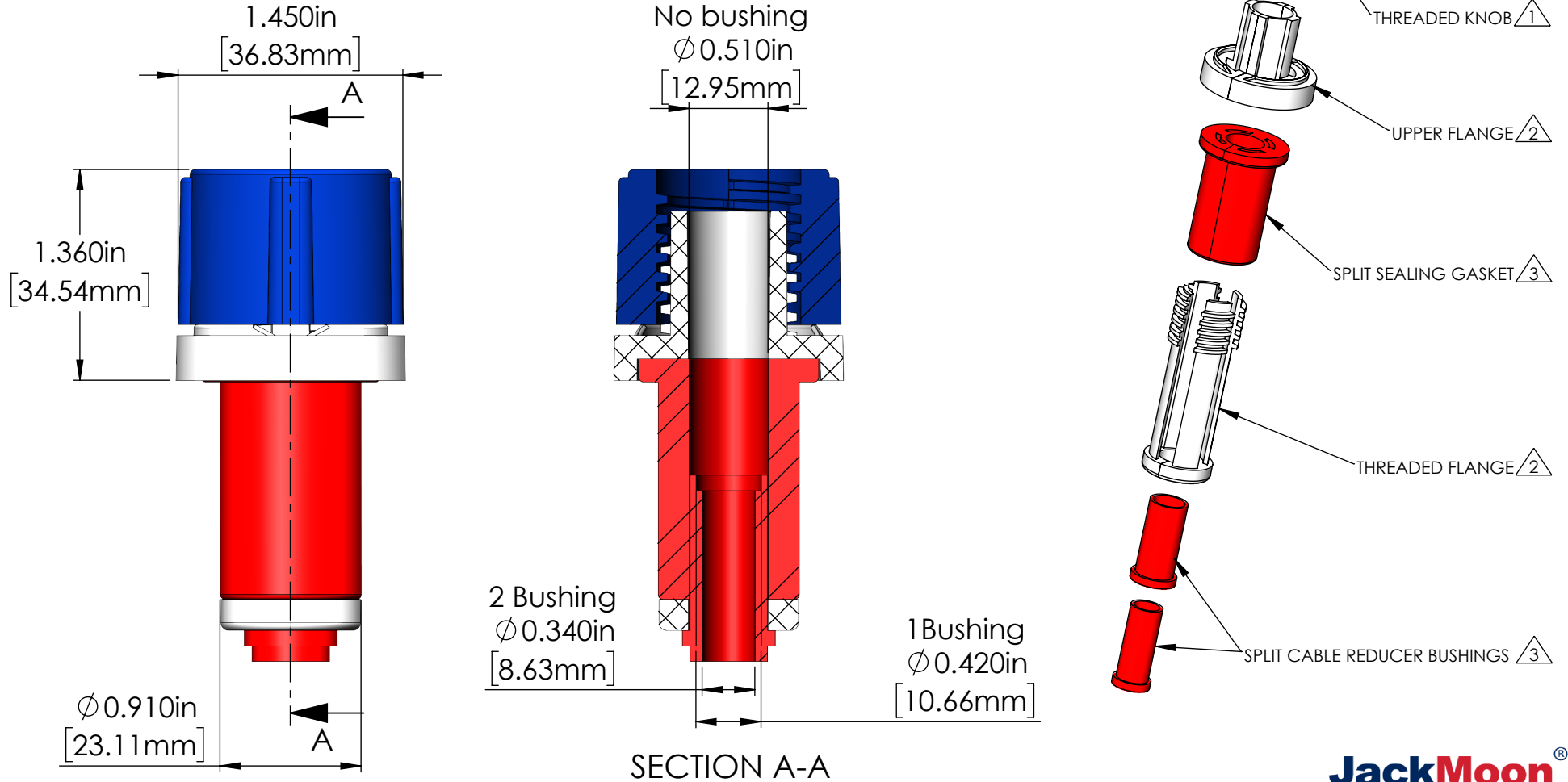


CONDUIT ID RANGE	APPLICABLE 1" [25mm] CONDUIT	PORT OD RANGE	BUSHING QUANTITY
0.920" - 1.060" [23.37mm - 26.92mm]	PVC SCH 40 HDPE SCH 40 HDPE SDR 9 EMT	0.330 - 0.510" [8.38mm - 12.95mm]	2

Applicable conduit types based on product's conduit ID range meeting or exceeding conduit ID dimensions specified in one or more of following standards: UL651, UL651A, ASTM F2160, NEMA TC 6 & 8



- NOTES:
- 1 Material: PVC
 - 2 Material: Nylon
 - 3 Material: TPE

TITLE	FIBER OPTIC SIMPLEX PLUG, 0.90" 23mm PORT 0.33"-0.51" 8.38mm-12.95mm		
PROPRIETARY AND CONFIDENTIAL THE INFORMATION CONTAINED IN THIS DRAWING IS THE SOLE PROPERTY OF CAL AM MANUFACTURING. ANY REPRODUCTION IN PART OR AS A WHOLE WITHOUT THE WRITTEN PERMISSION OF CAL AM MANUFACTURING IS PROHIBITED.	DRAWN	M.STOMA	DATE: 10/05/2023
	DRAWING NO.	7109-033-051	UNLESS OTHERWISE SPECIFIED DIMENSIONS ARE IN INCHES TOLERANCES: X±0.1 X.X±0.05 X.XX±0.030 X.XXX±0.020
	REVISION	A	
	SCALE:	1:1	PRODUCT NUMBER:

JackMoon[®]
Sealing Devices

www.CalAm.net