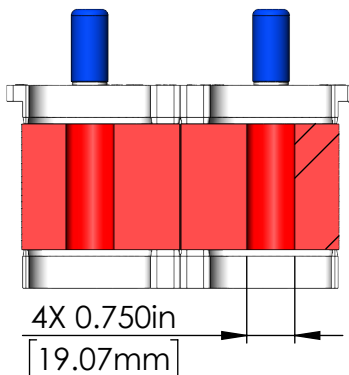
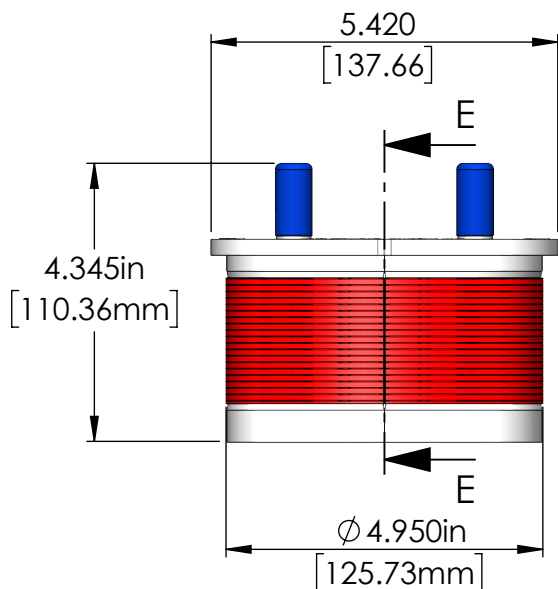
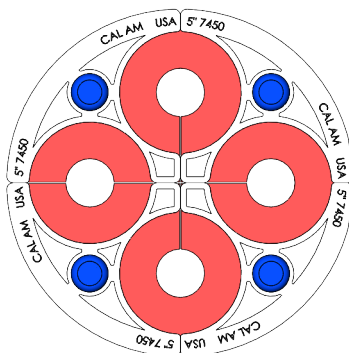
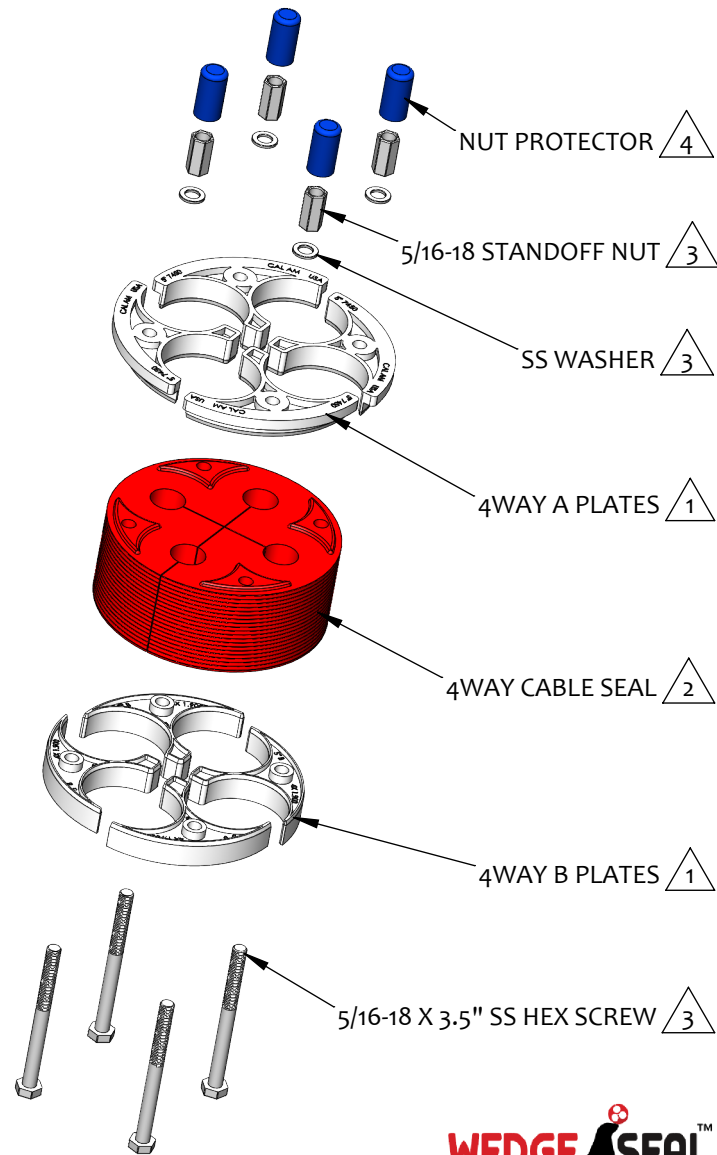


| CONDUIT ID RANGE | APPLICABLE 5" [125mm] CONDUIT | PORT RANGE |
|--|---------------------------------|--------------------------------------|
| 4.95" - 5.15" [125.73mm - 130.81mm] | PVC SCH 40 HDPE SCH 40 F2160 | 0.73" - 0.77" [18.54mm - 19.56mm] |

Applicable conduit types based on product's conduit ID range meeting or exceeding conduit ID dimensions specified in one or more of following standards: UL651, UL651A, ASTM F2160, NEMA TC 6 & 8



SECTION E-E
SCALE 1 : 3



NOTES:

- 1 Material: PVC
- 2 Material: TPE
- 3 Material: Stainless Steel
- 4 Material: Vinyl

| TITLE | QUADPLEX ENTRY SEAL, 5.00" 125mm, PORT 0.75" 19mm | | |
|---|---|------------|--|
| PROPRIETARY AND CONFIDENTIAL THE INFORMATION CONTAINED IN THIS DRAWING IS THE SOLE PROPERTY OF CAL AM MANUFACTURING. ANY REPRODUCTION IN PART OR AS A WHOLE WITHOUT THE WRITTEN PERMISSION OF CAL AM MANUFACTURING IS PROHIBITED. | DRAWN | JC. MORENO | DATE : 11/06/2024 |
| | DRAWING NO. | 7450-075 | UNLESS OTHERWISE SPECIFIED DIMENSIONS ARE IN INCHES TOLERANCES: X±0.1 X.X±0.05 X.XX±0.030 X.XXX±0.020 |
| | REVISION | B | |
| | SCALE: | 1:3 | PRODUCT NUMBER: |



SHEET 1 OF 1