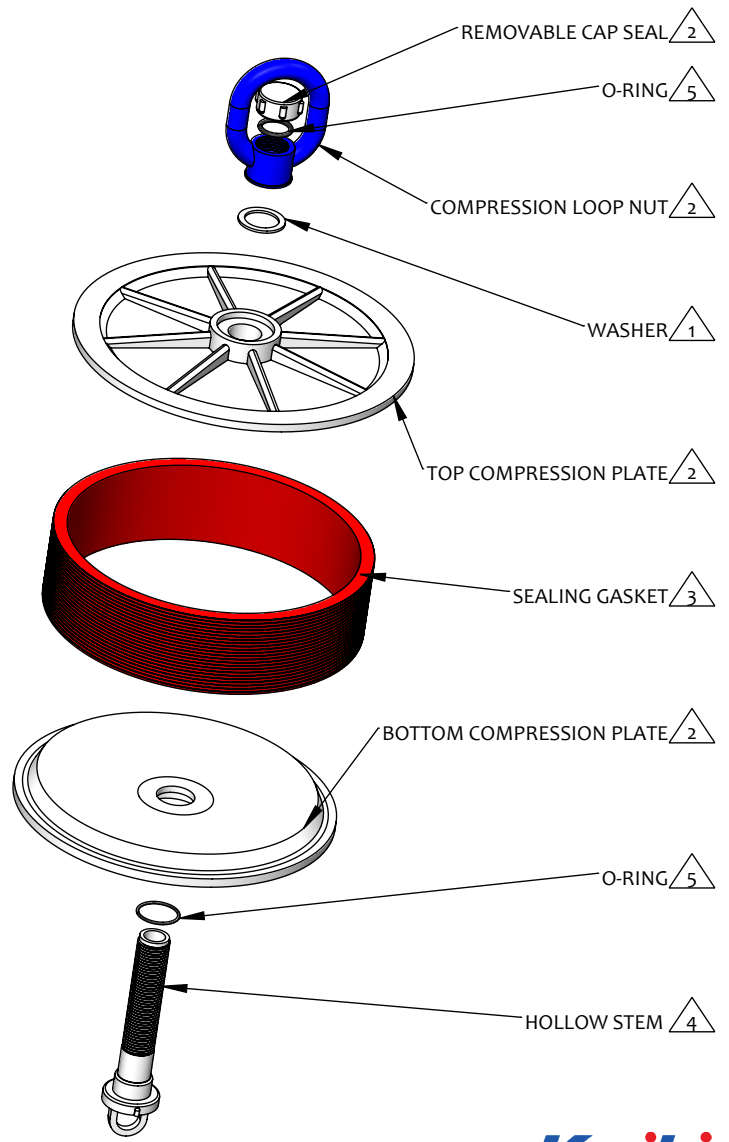
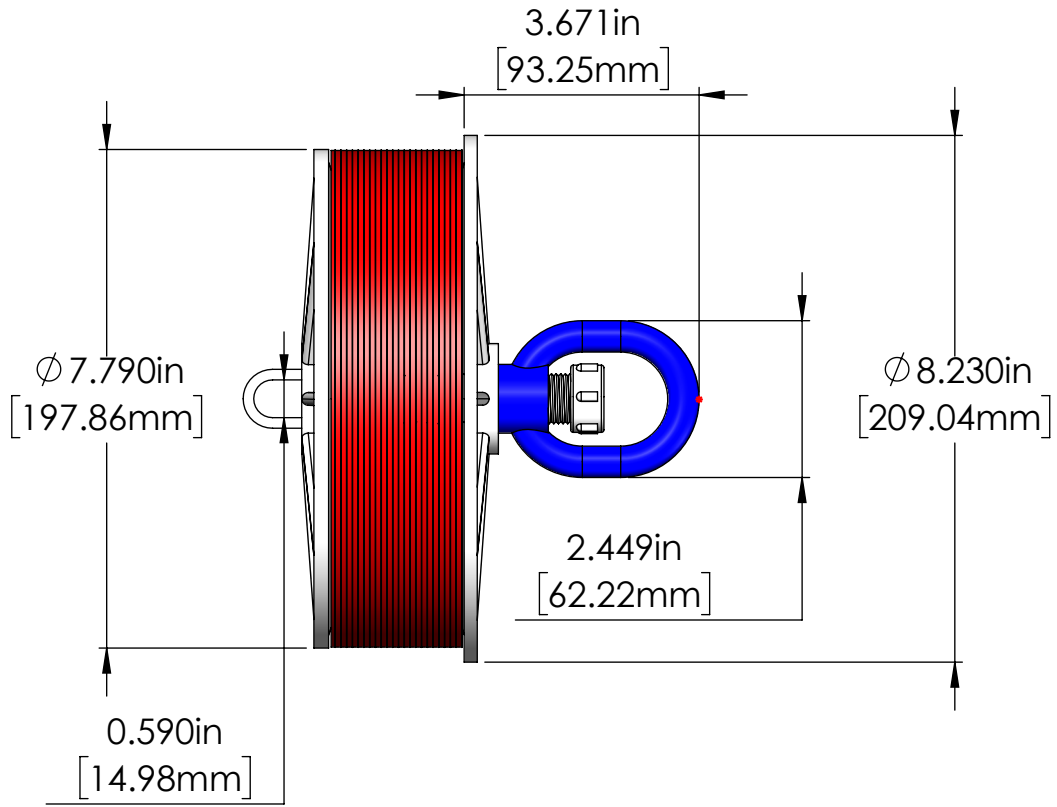


<b>CONDUIT ID RANGE</b>	<b>APPLICABLE 8" [200mm] CONDUIT</b>
7.810" - 8.250" [198.37mm - 209.55mm]	PVC SCH 40

Applicable conduit types based on product's conduit ID range meeting or exceeding conduit ID dimensions specified in one or more of following standards: UL651, UL651A, ASTM F2160, NEMA TC 6 & 8



**Kwikie™**  
Blank Duct Plugs

- NOTES:
- 1 Material: PVC
  - 2 Material: Polypropylene
  - 3 Material: Thermoplastic Elastomer
  - 4 Material: Nylon
  - 5 Material: Rubber

<b>TITLE</b>	<b>BLANK DUCT PLUG, LOOP NUT, 8.00"   200mm</b>		
<b>PROPRIETARY AND CONFIDENTIAL</b> THE INFORMATION CONTAINED IN THIS DRAWING IS THE SOLE PROPERTY OF CAL AM MANUFACTURING. ANY REPRODUCTION IN PART OR AS A WHOLE WITHOUT THE WRITTEN PERMISSION OF CAL AM MANUFACTURING IS PROHIBITED.	DRAWN	JC. MORENO	DATE : 02-06-2025
	DRAWING NO.	KWI-5120-80L	UNLESS OTHERWISE SPECIFIED DIMENSIONS ARE IN INCHES TOLERANCES: X±0.1 X.X±0.05 X.XX±0.030 X.XXX±0.020
	REVISION	C	
	SCALE:	1:2	PRODUCT NUMBER:

**CAL AM**  
MANUFACTURING  
www.CalAm.net

SHEET 1 OF 1