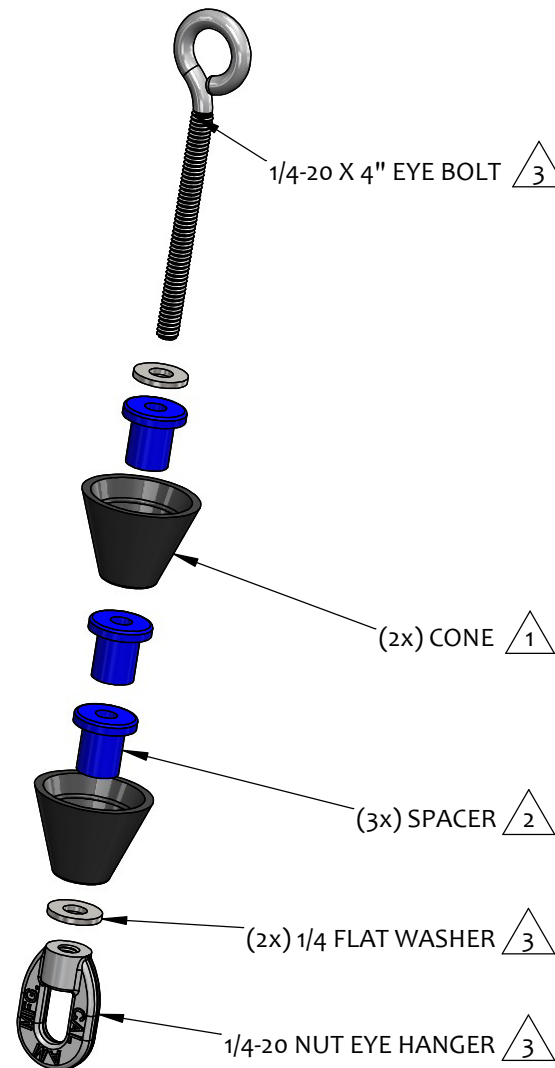


SECTION A-A
SCALE 1 : 1.5



- NOTES:
- 1 Material: POLYURETHANE
 - 2 Material: POLYPROPYLENE
 - 3 Material: ZINC PLATED STEEL

TITLE	CAL MISSILE, 1.25" 32mm		
PROPRIETARY AND CONFIDENTIAL THE INFORMATION CONTAINED IN THIS DRAWING IS THE SOLE PROPERTY OF CAL AM MANUFACTURING. ANY REPRODUCTION IN PART OR AS A WHOLE WITHOUT THE WRITTEN PERMISSION OF CAL AM MANUFACTURING IS PROHIBITED.	DRAWN	M.S.	DATE: 04/11/2026
	DRAWING NO.	2110-012	UNLESS OTHERWISE SPECIFIED DIMENSIONS ARE IN INCHES TOLERANCES: X±0.1 X.X±0.05 X.XX±0.030 X.XXX±0.020
	REVISION	B	
	SCALE:	2:3	PRODUCT NUMBER:



SHEET 1 OF 1