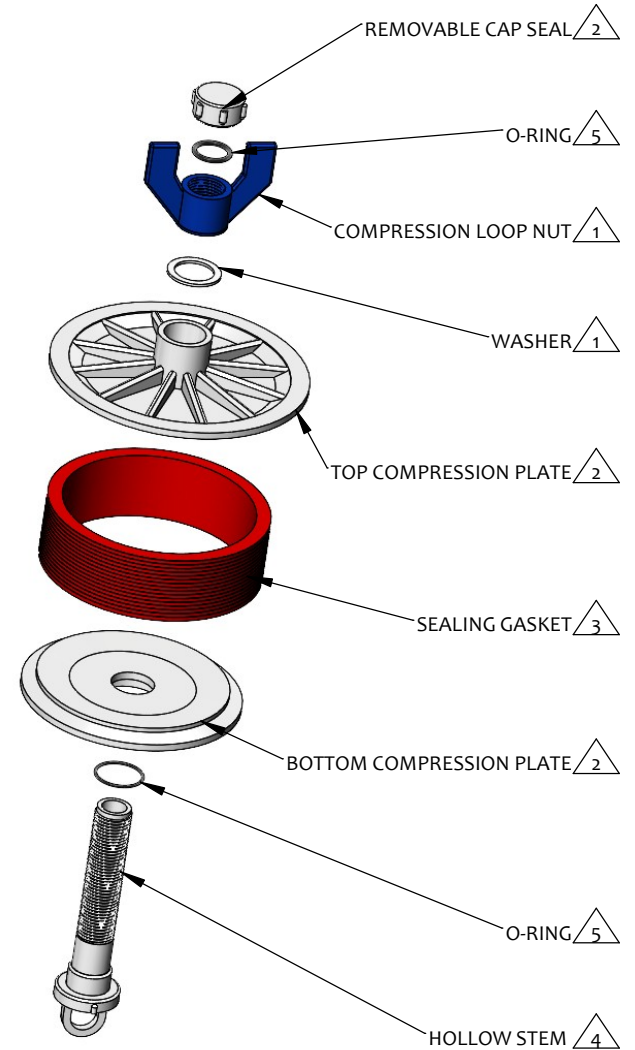
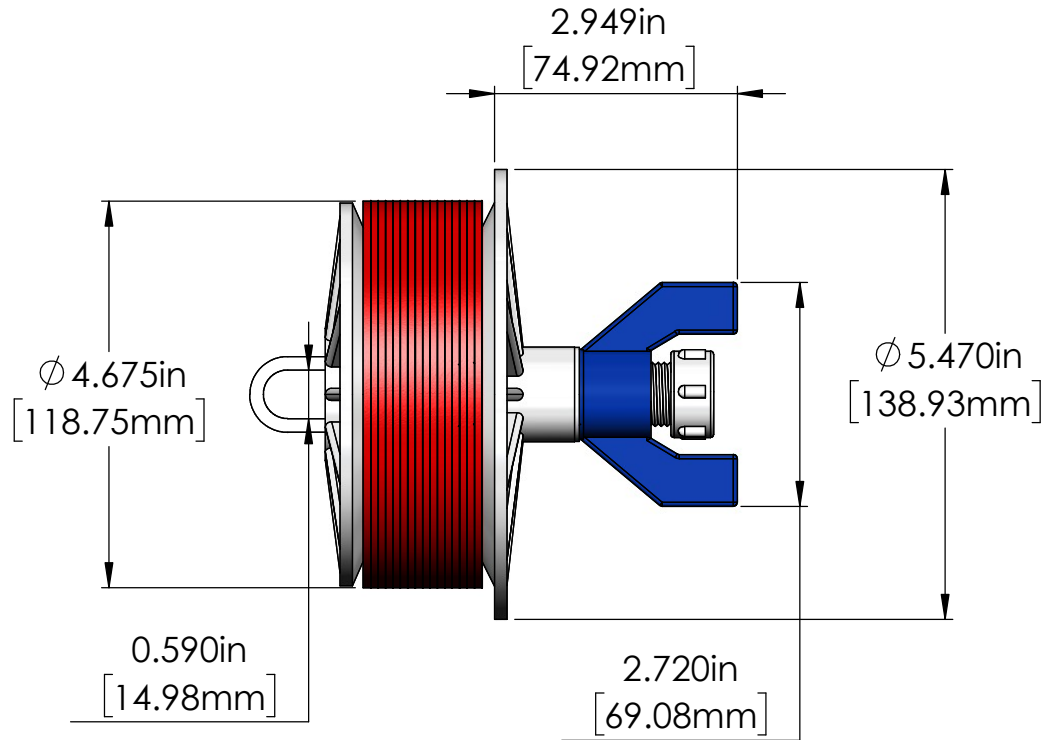


CONDUIT ID RANGE	APPLICABLE 5" [125mm] CONDUIT
4.675" - 5.250" [118.75mm - 133.35mm]	PVC SCH 80 PVC SCH 40 PVC DB 120 PVC DB 100 PVC DB 60 HDPE SCH 40 HDPE SCH 80

Applicable conduit types based on product's conduit ID range meeting or exceeding conduit ID dimensions specified in one or more of following standards: UL651, UL651A, ASTM F2160, NEMA TC 6 & 8



NOTES:

- 1 Material: PVC
- 2 Material: Polypropylene
- 3 Material: Thermoplastic Elastomer
- 4 Material: Nylon
- 5 Material: Rubber

TITLE	BLANK DUCT PLUG, WING NUT, 5.00"   125mm SCH80			
<b>PROPRIETARY AND CONFIDENTIAL</b> THE INFORMATION CONTAINED IN THIS DRAWING IS THE SOLE PROPERTY OF CAL AM MANUFACTURING. ANY REPRODUCTION IN PART OR AS A WHOLE WITHOUT THE WRITTEN PERMISSION OF CAL AM MANUFACTURING IS PROHIBITED.	DRAWN	JC. MORENO	DATE : 02-06-2025	
	DRAWING NO.	KWI-5120-58	UNLESS OTHERWISE SPECIFIED DIMENSIONS ARE IN INCHES TOLERANCES: X±0.1 X.X±0.05 X.XX±0.030 X.XXX±0.020	
	REVISION	C		
	SCALE:	1:2	PRODUCT NUMBER:	<b>5120-58</b>

**Kwikie**<sup>®</sup>  
Blank Duct Plugs



SHEET 1 OF 1