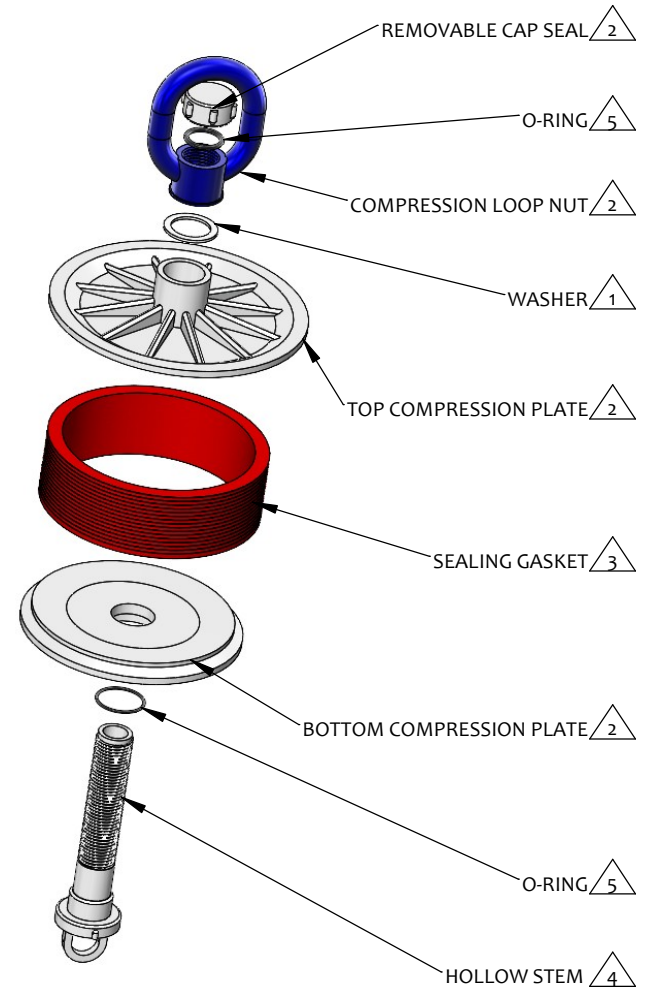
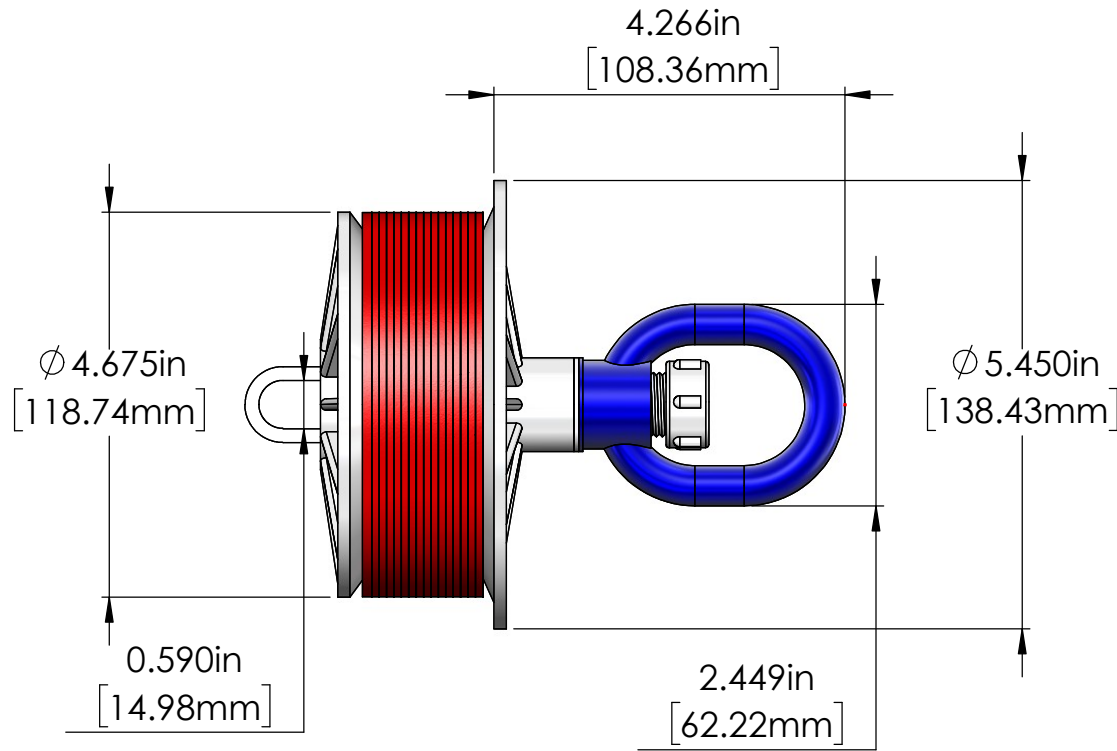


| CONDUIT ID RANGE | APPLICABLE 5" [125mm] CONDUIT |
|--|---|
| 4.675" - 5.250" [123.19mm - 133.35mm] | PVC SCH 80 PVC SCH 40 PVC DB 120 PVC DB 100 PVC DB 60 HDPE SCH 40 HDPE SCH 80 |

Applicable conduit types based on product's conduit ID range meeting or exceeding conduit ID dimensions specified in one or more of following standards: UL651, UL651A, ASTM F2160, NEMA TC 6 & 8



Kwikie[®]
Blank Duct Plugs

NOTES:

- 1 Material: PVC
- 2 Material: Polypropylene
- 3 Material: Thermoplastic Elastomer
- 4 Material: Nylon
- 5 Material: Rubber

| TITLE | BLANK DUCT PLUG, LOOP NUT, 5.00" 125mm SCH80 | | |
|---|--|--------------|--|
| PROPRIETARY AND CONFIDENTIAL THE INFORMATION CONTAINED IN THIS DRAWING IS THE SOLE PROPERTY OF CAL AM MANUFACTURING. ANY REPRODUCTION IN PART OR AS A WHOLE WITHOUT THE WRITTEN PERMISSION OF CAL AM MANUFACTURING IS PROHIBITED. | DRAWN | JC. MORENO | DATE: 02-06-2025 |
| | DRAWING NO. | KWI-5120-58L | UNLESS OTHERWISE SPECIFIED DIMENSIONS ARE IN INCHES TOLERANCES: X±0.1 X.X±0.05 X.XX±0.030 X.XXX±0.020 |
| | REVISION | C | |
| | SCALE: | 1:2 | PRODUCT NUMBER: |



SHEET 1 OF 1