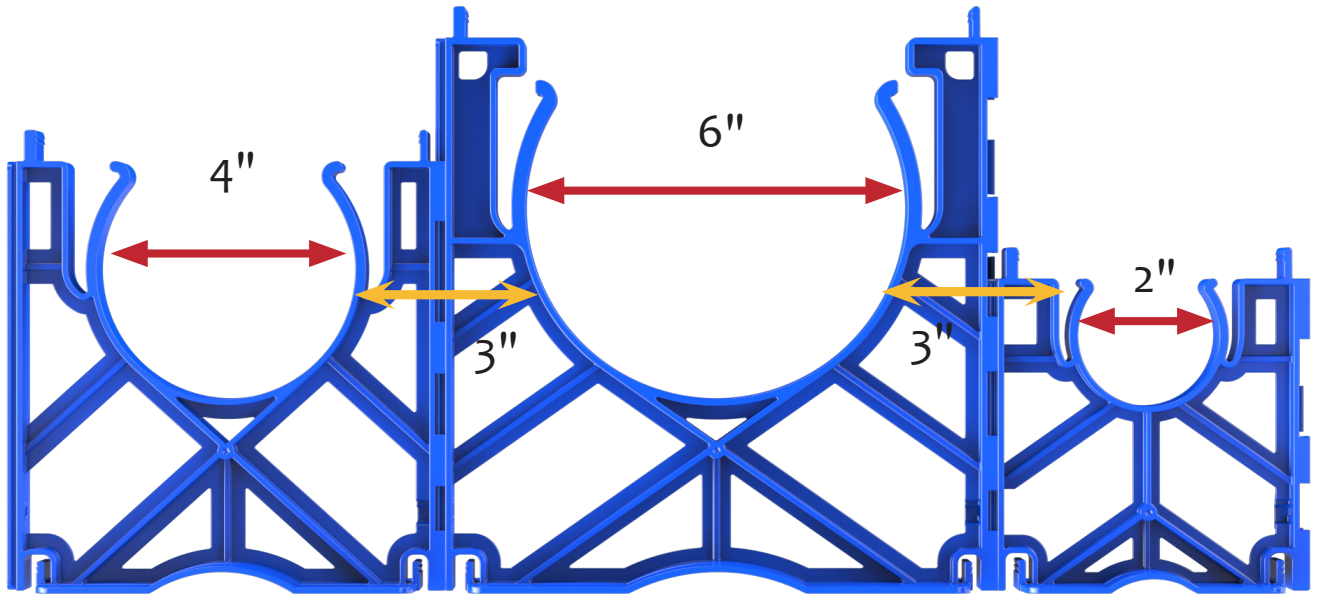




Introducing Cal Am's UniSpacer Blue Duct Spacers



Cal Am is thrilled to announce the launch of its groundbreaking product line: UniSpacer Blue Duct Spacers. This innovative spacer system is the first of its kind, designed to simplify the process of creating duct arrays for multiple conduit sizes, and combining the traditional base and intermediate design into one omni compatible spacer.

One-Piece Design: Designed as a single piece for both vertical and horizontal connections. By molding each spacer as an all-in-one unit, contractors handle half as many parts, and distributors buy **HALF** as many SKU's.

Versatile Configuration: The UniSpacer's omni compatible design allows for easy mixing and matching of different conduit sizes, creating a tailored array for project needs. Spacers of the same size can connect both vertically and horizontally, and all spacers can connect horizontally with omni compatible slide interlocks.

Space-Saving Design: The ability to connect different size conduits in the same duct bank allows installer to reduce the width of the trench, which can lead to significant savings in material costs and labor.

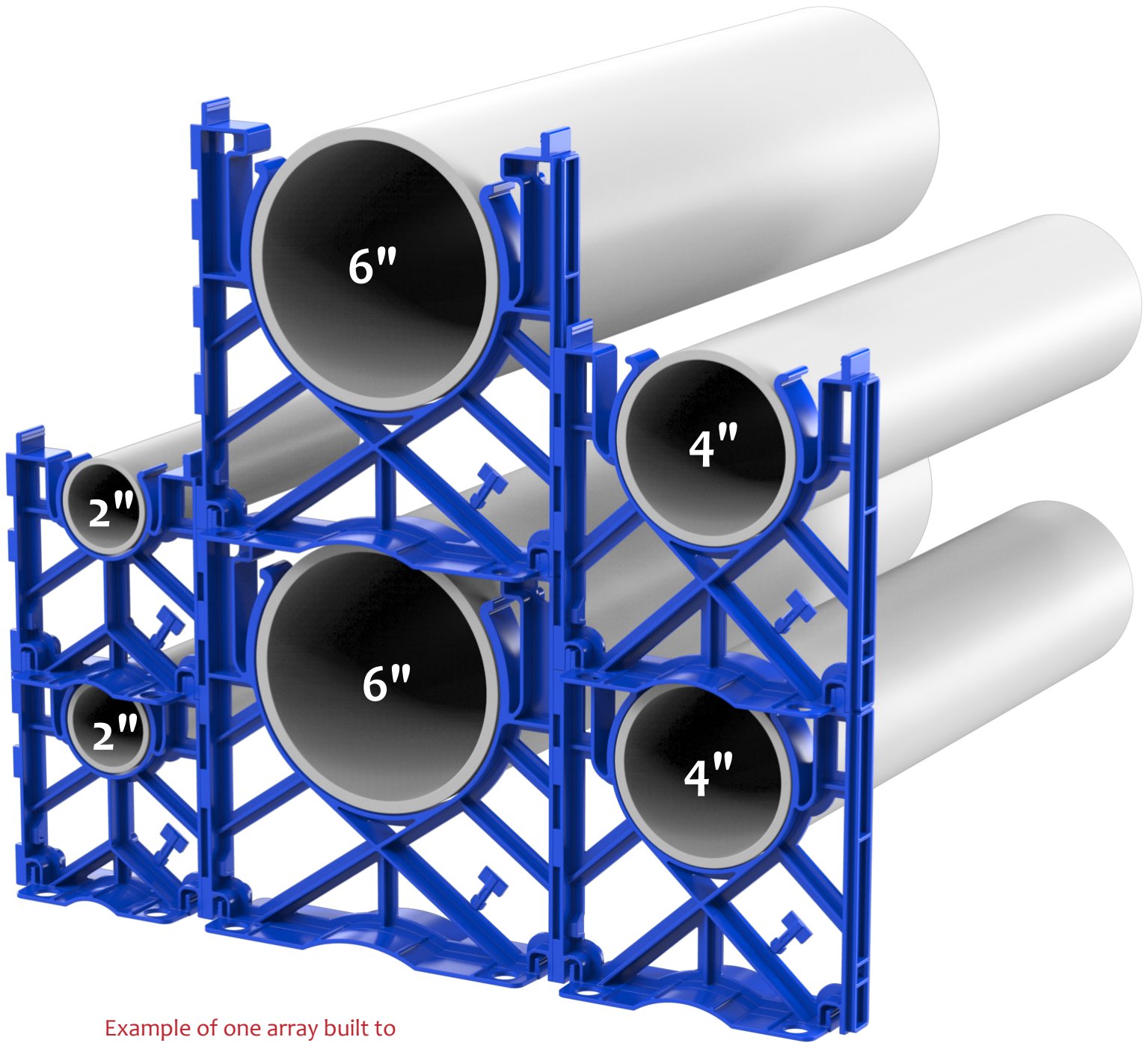
Stability and Security: Clamp saddles lock conduit in place with a small amount of pressure, keeping conduit secure and protected from float. A built-in key lock mechanism secures the bottom row from shifting. Rebar and zip tie holes allow the installer to secure the spacers to the ground, the conduit, and other materials.

Choose Cal Am's NEW UniSpacer Blue Duct Spacers for your next project and experience the difference!

Visit CalAm.net

■ Omni Compatible Spacer Design

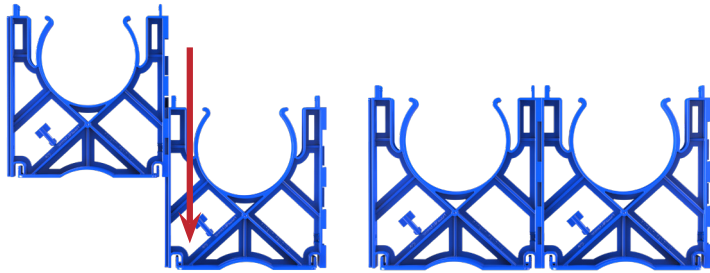
Using the UniSpacer, easily create an array for multiple conduit sizes with this omni compatible spacer. The ingenuity of the UniSpacer is that they can be built in an array specifically for different conduit sizes.



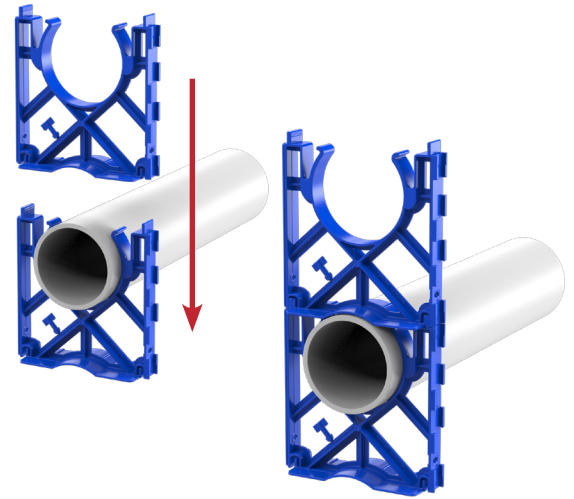
Example of one array built to organize 2", 6" and 4" conduit.

Vertical and Horizontal Locking

Easily connect the same size spacer with slide interlocks horizontally, and press fit vertically. Slide interlocks are omni compatible to connect different conduit sizes horizontally.



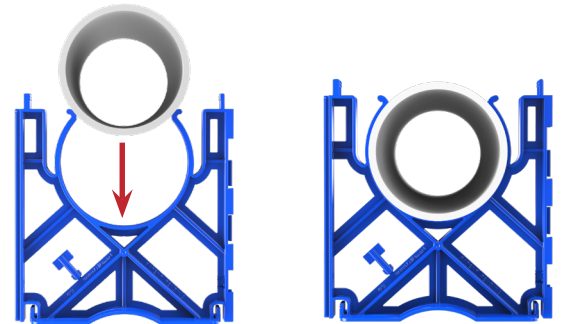
Horizontally



Vertically

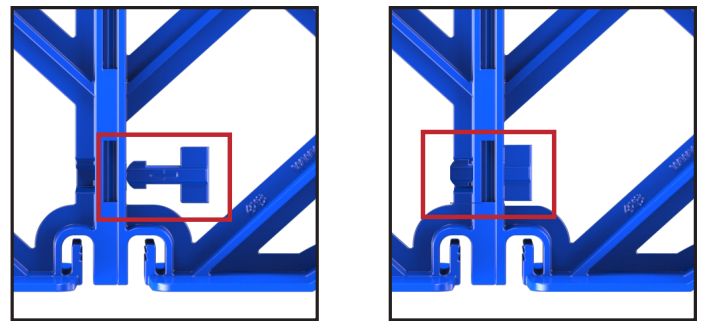
Locking Clamp Saddle

Our UniSpacer is designed with a built-in locking mechanism to provide a more stabilized and secure array.



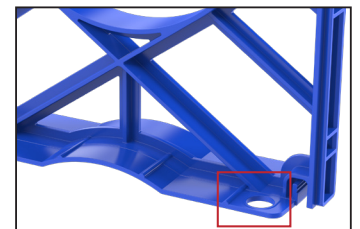
Secure Key Mechanism

Insert the key to secure the spacers. No additional hand tools are required.



Rebar Holes

Base are designed with rebar holes to allow for additional anchoring, ensuring the array remains securely in place under weight.



SPECIFICATIONS

PRODUCT NUMBER	CONDUIT SIZE (IN)	CONDUIT SIZE (mm)	SPACING (IN)	SPACING (mm)	CASE QUANTITY	UNIT OF MEASURE	COLOR
4220-30	2.00	50	3.00	80	100	CASE	BLUE
4240-30	4.00	100	3.00	80	100	CASE	BLUE
4260-30	6.00	150	3.00	80	50	CASE	BLUE

PRODUCT NUMBER	UNIT OF MEASURE	CASE DIMENSIONS (IN)	CASE DIMENSIONS (cm)	CASE WEIGHT (lbs)	CASE WEIGHT (kg)
4220-30	CASE	22 x 14 x 15	56 x 36 x 38	25	11
4240-30	CASE	22 x 22 x 17	56 x 56 x 43	37	17
4260-30	CASE	22 x 22 x 14	56 x 56 x 36	26	12

Currently available in three conduit sizes and 3" | 80mm separation but more sizes are coming soon!

SPECIAL NOTE: One FREE bag of blue zip ties are included in every case!



SCAN OUR QR CODE
TO WATCH OUR VIDEO

ABOUT CAL AM MANUFACTURING

Cal Am Manufacturing® specializes in products for use in underground electrical and broadband applications. Founded in Southern California over thirty-five (35) years ago, Cal Am designs and produces fittings and sealing devices to serve utilities, municipalities, government facilities, datacenters, and fiber optic projects, through a worldwide network of distributors.



TEST OUR PRODUCT
Email: Sales@CalAm.net

Corporate Office:
El Cajon, CA 92020

Phone +1.619.336.9550
Fax +1.619.336.9549

Sales@CalAm.net
Marketing@CalAm.net
Accounting@CalAm.net

www.CalAm.net